

Industrial Compact PC

IPC/COMPACT7 "SL-Family"

Intel ATOM inside

- Smart fanless system
- Stainless steel case
- Rugged, no moving parts
- Maintenance-free
- Long-term available
- Extended temperature
- DIN rail mounting



Features

System

- Intel Atom Z510, Z530
- up to 1.6GHz
- RAM on Board
- Socket for CompactFlash
- Graphic resolution up to SXGA
- Ethernet, USB
- RS232

Industrial specific properties

- Watchdog
- Temperature supervision
- Real Time Clock
- Flash BIOS
- Goldcap instead of Battery backup
- ESD- protection on all interfaces
- DIN Rail Mounting
- No active cooling required
- 24V Power Supply Voltage

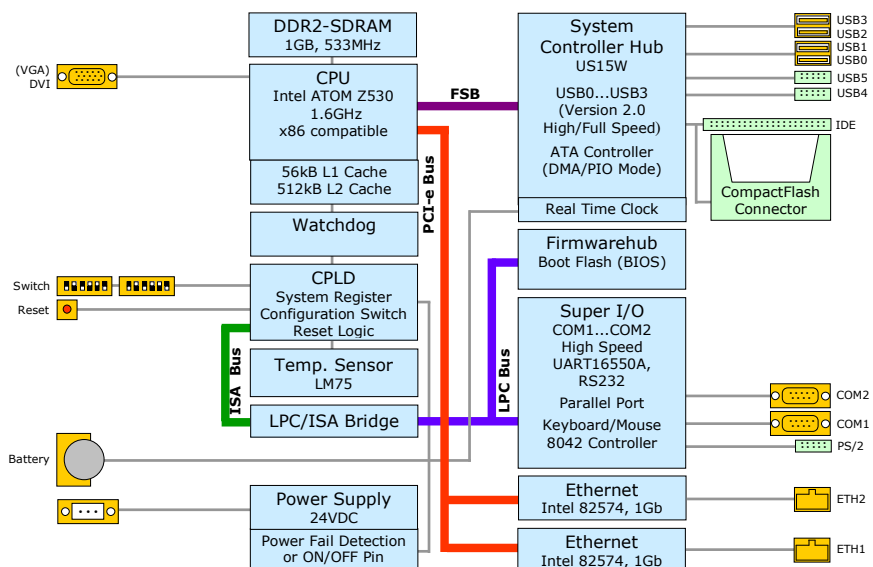
Operating Systems

- Windows XP embedded
- Windows CE 6.0
- Linux
- VxWorks
- MS-DOS
- RTKernel, RTOS-32
- others on request

Tests/Certifications

- CE
- Vibration and Shock
- EMC
- ESD
- Burn-In

Blockdiagram IPC/COMPACT7-1A



Specifications and Order Information

	Order Code	IPC/COMPACT7L-1A	IPC/COMPACT7-1A
Processor/Performance			
Intel Atom Z530 1.6GHz			•
Intel Atom Z510 1.1GHz		•	
Memory			
56 kB L1 Cache (32kB instruction / 24kB data)		•	•
512 kB L2 Cache		•	•
512 MB DDR2-400MT/s SDRAM		•	
1 GB DDR2-533MT/s SDRAM			•
1 GB DDR2-400MT/s SDRAM ³		opt	
2 GB DDR2-400MT/s SDRAM ³		opt	opt
Socket for CompactFlash IDE Mode (Type I)		•	•
Peripherals			
Graphic Controller up to 1600x1200 resolution (DVI)		•	•
Graphic Controller up to 1600x1200 resolution (VGA) ³		opt	opt
LVDS LCD-Interface up to 1366x768 resolution (24 bit) ^{1 3}		opt	opt
IDE Interface Standard (1 Master, 1 Slave) ¹		•	•
Mouse/Keyboard PS/2 (instead of 2 USB) ^{3 4}		opt	opt
Mouse/Keyboard PS/2 on internal header ¹		•	•
Real Time Clock PC compatible		•	•
Watchdog		•	•
Temperature supervisor		•	•
Rotary Hex-Switch for user defined configuration		2	2
Communication Interfaces			
USB Version 2.0 (high or full speed)		4	4
USB Version 2.0 on internal header (Silicon Drive connector) ¹		2	2
Ethernet 10/100/1000 Mbit (Intel 82574)		2	2
RS232 ESD protected (DSUB9)		2	2
1 x RS485 isolated ESD protected (DSUB9) ³		opt	opt
Technical Data			
Dimensions w228.6 x h41.5 x d127.1 mm (Connector View)		•	•
Input Voltage 10...30VDC non-isolated		•	•
Input Voltage 19...30VDC isolated ³		opt	opt
Power Consumption max. in Watt		17	19
Standard Operating Temperature (ambient) 0°C to +50°C		•	•
Extended Operating Temperature (ambient) -40°C to +60°C		³	3
Storage Temperature -40 ~ +90° C		•	•
Shock: designed to meet EN60068-2-6		•	•
Vibration: designed to meet EN60068-2-27		•	•
EMI-Conformity EN-55022/55024/61000-6-2/61000-6-4		•	•
User Documentation			
System: DOC/COMPACT7-1A		tbd	tbd

¹ Board connector (system internal)

² Combo-connector, use y-cable, set jumper

³ Please contact factory for minimum order quantities

⁴ USB3/USB4 only on internal board connector



IPC/COMPACT7 "SL-Family"